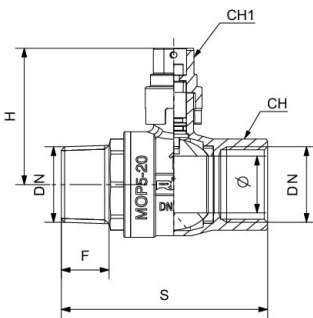




## RIV 4357

Ball valve M/F  
 full bore  
 brass sealing cap

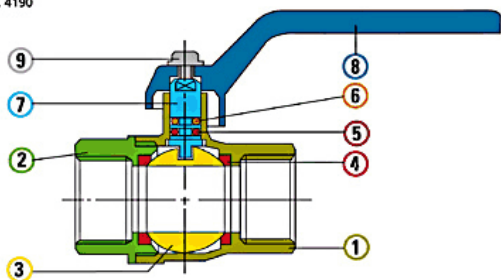
### Tech drawings and tables



| DN    | Code         | Ø  | H  | S   | F    | CH1 | PN | KG    | P/box |
|-------|--------------|----|----|-----|------|-----|----|-------|-------|
| 1/2"  | 024357000004 | 15 | 48 | 66  | 16   | 16  | 64 | 0,231 | 10    |
| 3/4"  | 024357000005 | 20 | 54 | 76  | 17,5 | 16  | 40 | 0,354 | 10    |
| 1"    | 024357000007 | 25 | 58 | 91  | 21   | 16  | 40 | 0,564 | 10    |
| 1"1/4 | 024357000008 | 32 | 71 | 101 | 22,5 | 16  | 40 | 0,921 | 6     |
| 1"1/2 | 024357000009 | 40 | 79 | 113 | 22,5 | 16  | 40 | 1,192 | 4     |
| 2"    | 024357000011 | 50 | 87 | 134 | 26,5 | 16  | 40 | 1,988 | 4     |

## Technical data

Art. 4190



### Materials

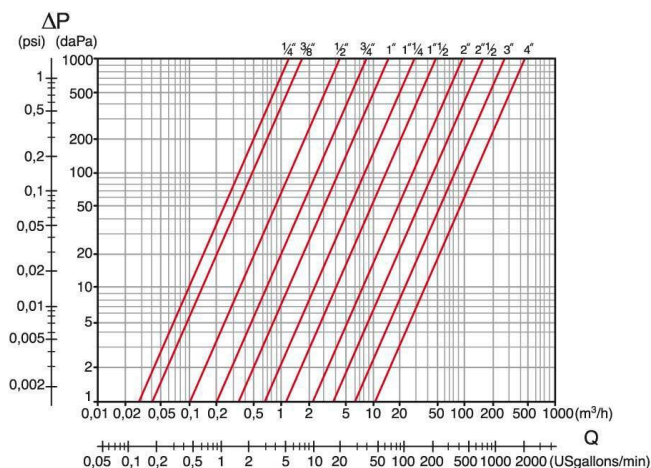
|   |          |           |        |               |
|---|----------|-----------|--------|---------------|
| 1 | Body     | Brass     | CW617N | Nickel-plated |
| 2 | Body end | Brass     | CW617N | Nickel-plated |
| 3 | Ball     | Brass     | CW617N | Chrome-plated |
| 4 | Seats    | P.T.F.E.  |        |               |
| 5 | O-Ring   | FKM       |        |               |
| 6 | O-Ring   | NBR       |        |               |
| 7 | Stem     | Brass     | CW614N |               |
| 8 | Lever    | Aluminium |        | Green         |
| 9 | Screw    | Steel     |        | Zinc-plated   |

**Connections** F/F: ISO 7/1Rp (parallel), ISO 7/1Rc (tapered), ANSI B1.20.1 (NPT) - M/F: male ISO 7/1R (tapered), female ISO 7/1Rp (parallel) - MM: ISO 7/1R (tapered)

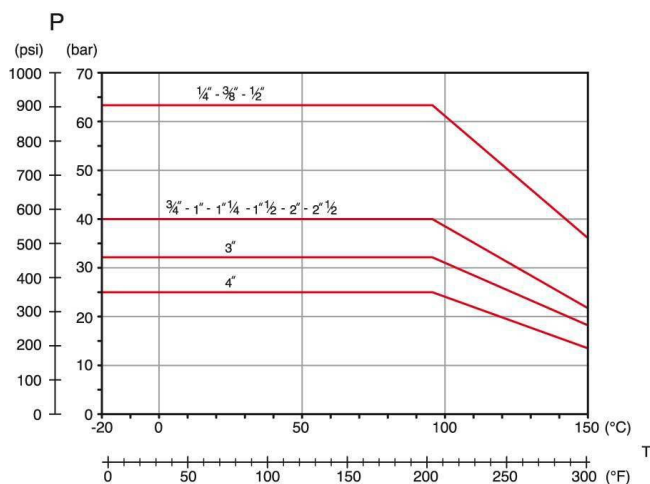
**Limit** -20°C (without liquid) +150°C

**Notes** The max.working pressure (PN) means at a room temperature of about 23°C.

## Pressure Loss Chart



## Temperature/Pressure



## Kv & Cv Coefficients

| Size   | Kv     | Cv     |
|--------|--------|--------|
| 1/4"   | 4,1    | 4,7    |
| 3/8"   | 6,3    | 7,3    |
| 1/2"   | 15,5   | 17,9   |
| 3/4"   | 31,0   | 36,0   |
| 1"     | 52,0   | 60,0   |
| 1 1/4" | 100,0  | 116,0  |
| 1 1/2" | 180,0  | 206,0  |
| 2"     | 350,0  | 405,0  |
| 2 1/2" | 350,0  | 671,0  |
| 3"     | 1000,0 | 1157,0 |
| 4"     | 1550,0 | 1793,0 |

## Approvals



RIV Rubinetterie Italiane Velatta S.p.A. - Via delle Acacie, 8 Zona Industriale D4 - 28075 GRIGNASCO (NO) - ITALY  
Tel +39 0163 4151 Fax +39 0163 411914 E-mail riv-vg@riv-vg.com Web www.riv-vg.com

Capitale sociale € 516.000 i.v. - Reg. Imprese di Novara N° 00469610026 - R.E.A. di Novara N° 170397  
Numero Meccanografico NO009263 - Codice Fiscale: 00469610026 - Partita IVA: IT 01399720034

